



KIMEX PET S.A. DE C.V.  
 KM. 26.5 AUTOPISTA MEXICO-QUERETARO  
 APARTADO POSTAL No. 168 TLALNEPANTLA,  
 ESTADO DE MEXICO, C.P. 54020 MEXICO  
 TELS: 53-66-90-00



**PET PREFORM  
 SPECIFICATIONS SHEET**

DATE: Feb 12 th, 16  
 REFERENCE: PRE-KX-01  
 MADE BY: PET LABORATORY  
 REV: "O"

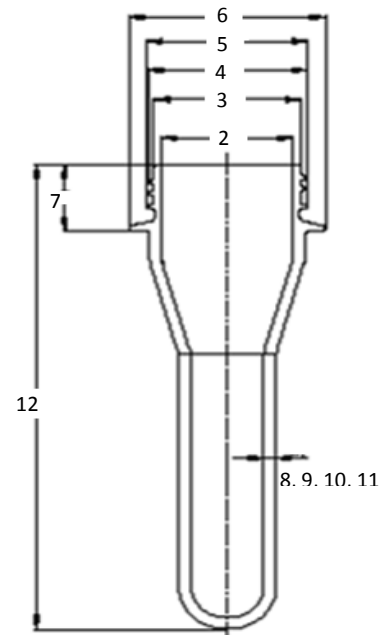
**TECHNICAL SHEET: 18.5 CSN26 PREFORM**

<b>PREFORM:</b> 18.5	<b>FINISH:</b> CSN26	<b>COLOR:</b> WITHOUT COLOR, PIGMENTED, CLEAR, OR OPAQUE
<b>COMPOSITION:</b>	PET RESIN (POLYETHYLENE TEREPHTHALATE) WITH OR WITHOUT PIGMENT	
<b>INTENDED USE:</b>	MANUFACTURE OF PACKAGING	
<b>PACKING:</b>	GAYLORD CONTAINER (CARTON BULK BOX), STRAPPED AND LABELED, POLYETHYLENE INNER LINER.	<b>PIECES PER BOX:</b> 13,008
<b>STORAGE:</b>	DO NOT EXPOSE THE BOX TO MOISTURE, UV RAYS, AVOID BRUSH MOVEMENTS KEEP IN CLEAN PLACE, WITHOUT DUST.	

**QUALITY LABORATORY TESTS:** WEIGHT, DIMENSIONAL ANALYSIS, ACETALDEHYDE AND INTRINSEC VISCOSITY.

**DIMENSIONS:**

No.	CHARACTERISTIC	UNITS	SPECIFICATIONS	
			MIN	MAX
1	WEIGHT	g	18.22	18.82
2	CONTROL DIAMETER AT TOP OF FINISH	mm	21.61	21.87
3	THREAD ROOT DIAMETER	mm	24.08	24.38
4	THREAD CREST DIAMETER	mm	25.85	26.15
5	TAMPER EVIDENT BEAD DIAMETER	mm	26.53	26.83
6	SUPPORT LEDGE DIAMETER	mm	31.85	32.15
7	HEIGHT FROM SUPPORT LEDGE	mm	11.70	12.00
8	THICKNESS 1	mm	2.12	2.38
9	THICKNESS 2	mm	2.12	2.38
10	THICKNESS 3	mm	2.12	2.38
11	THICKNESS 4	mm	2.12	2.38
12	TOTAL PREFORM HEIGHT	mm	101.50	102.50



NOTE: THICKNESS 1, 2, 3 Y 4 ARE 90° EACH OTHER.  
 HEIGHT FROM SUPPORT LEDGE = HEIGHT OF FINISH